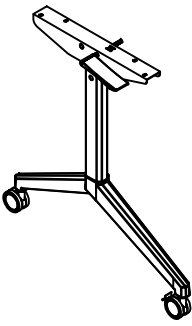
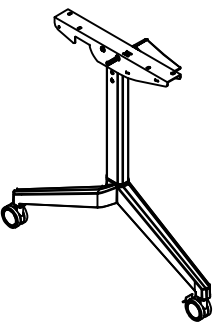
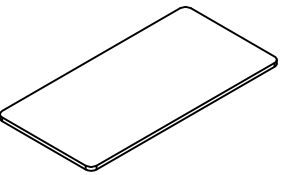
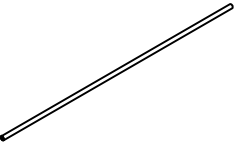
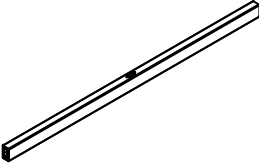
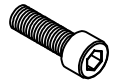


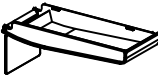
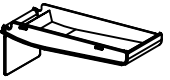




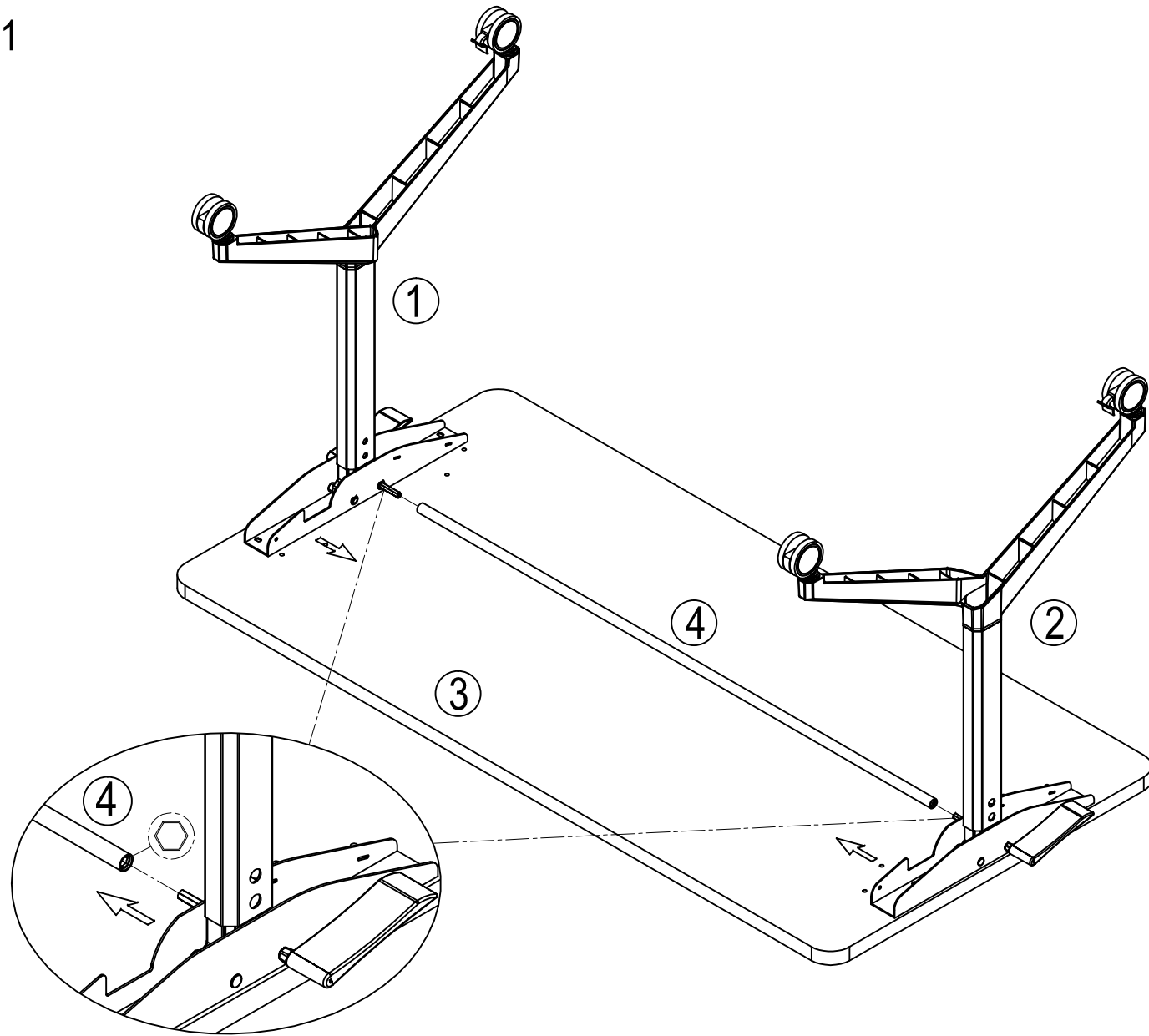
## Part list

|   |   |   |   |   |
|---|---|---|---|---|
|  |  |  |  |  |
| ① x1  | ② x1  | ③ x1  | ④ x1  | ⑤ x1  |

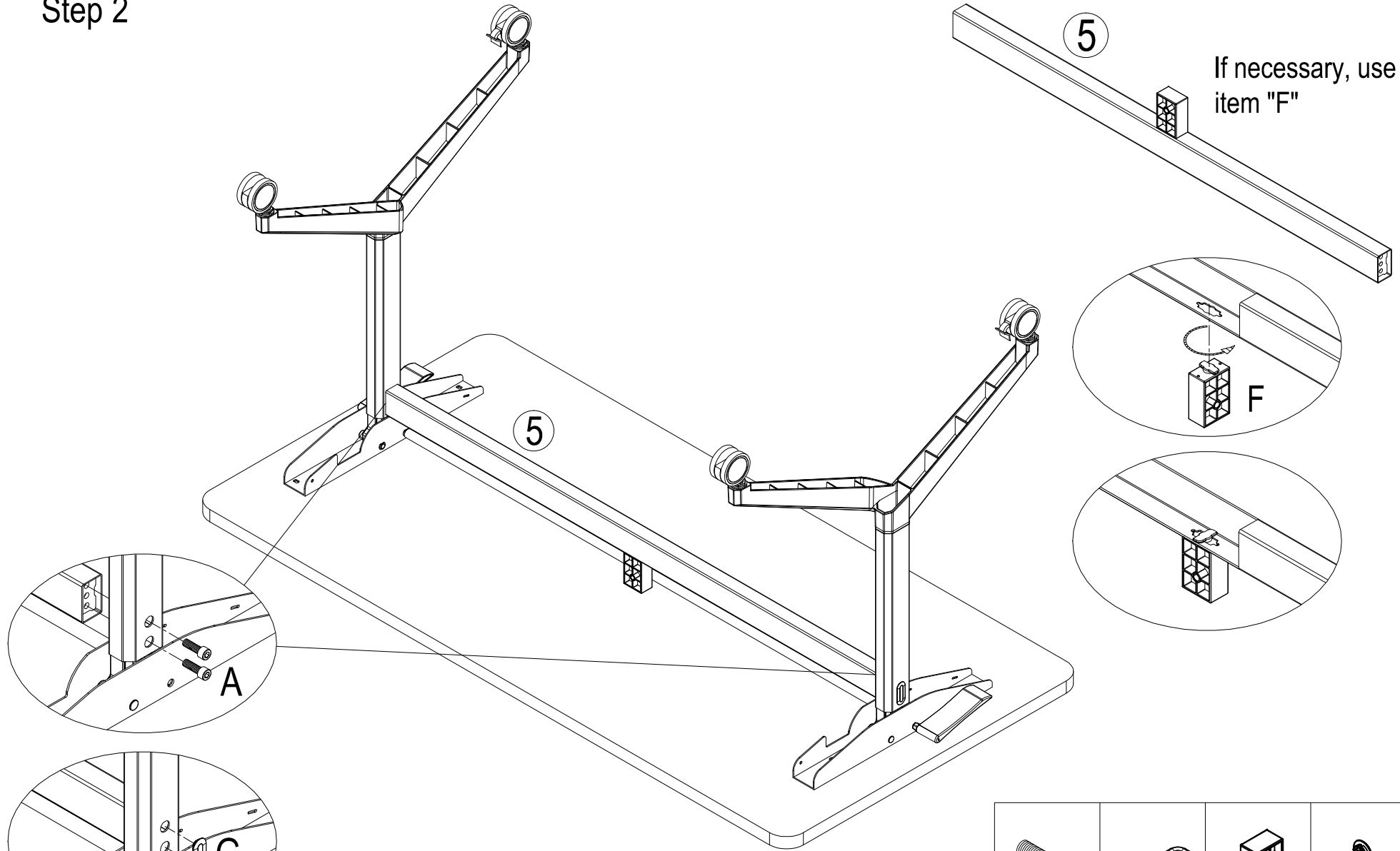
## Hardware list

|   |   |   |  |   |   |   |
|---|---|---|--|---|---|---|
|  |  |  |  |  |  |  |
| A x4 (M8x25)  | B x8 (M6x16)  | C x1 (6mm)  | D x1   | E x1  | F x1<br>If necessary  | G x2  |

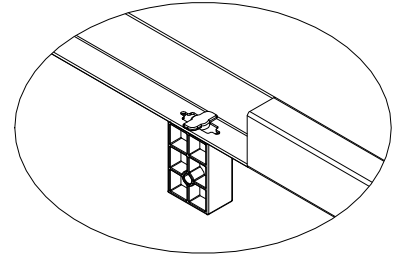
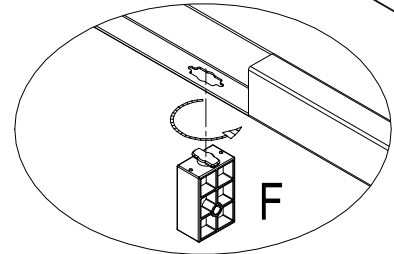
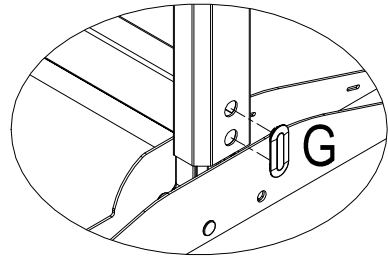
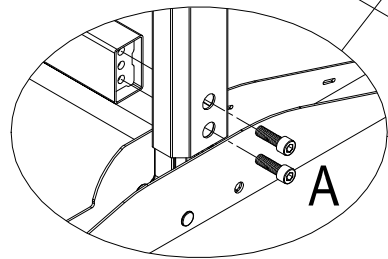
# Step 1

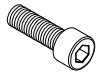

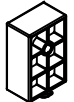



# Step 2

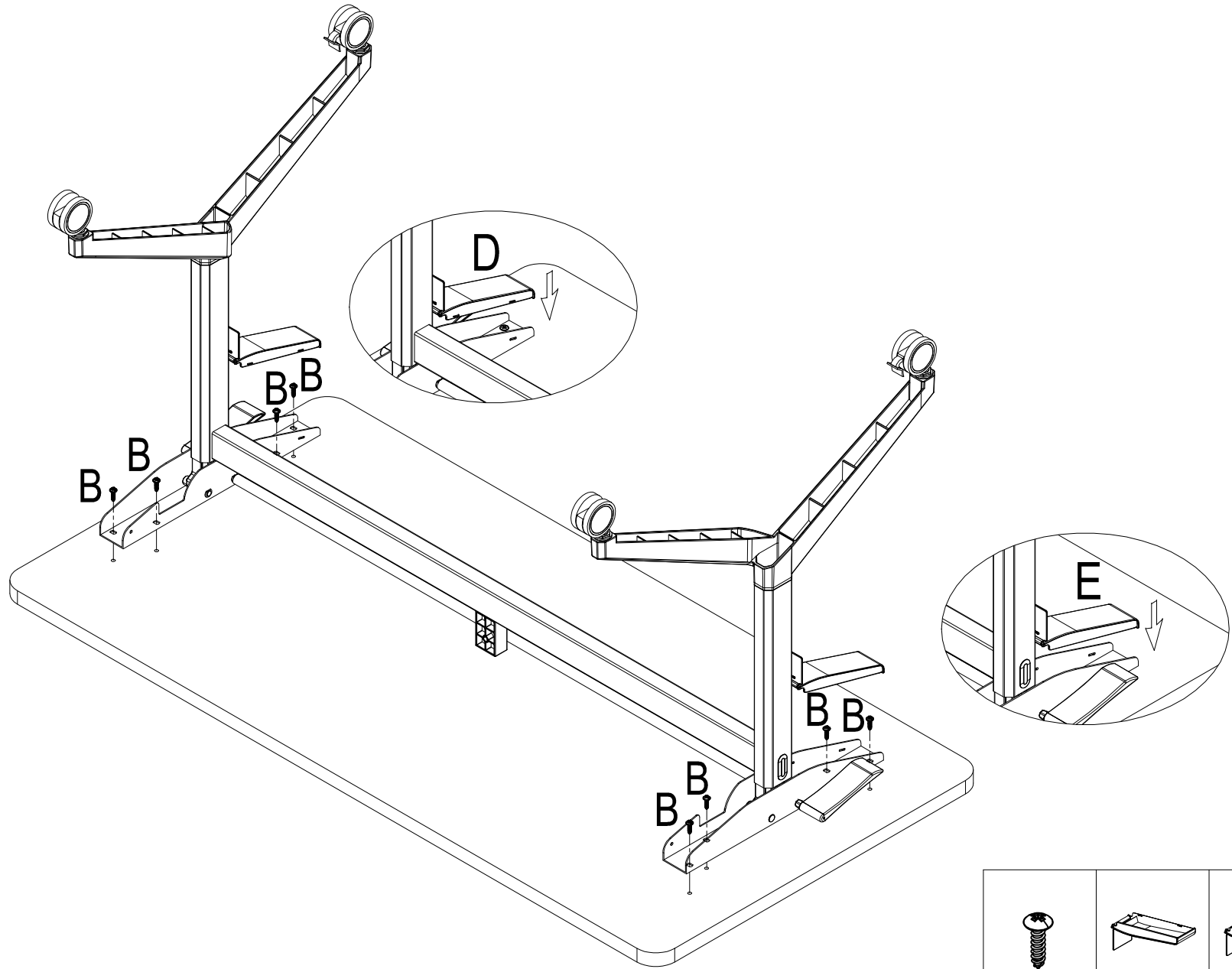



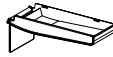
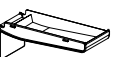
If necessary, use item "F"



|   |   |   |   |
|---|---|---|---|
|  |  |  |  |
| A x4  | C x1  | F x1<br>If necessary  | G x2  |

# Step 3



|   |   |   |
|---|---|---|
|  |  |  |
| B x 8   | D x 1   | E x 1   |

# Step 4

